

AC1010-5010



Numbering System: MODEL - BODY SIZE - PORT SIZE - OPTIONS				
MODEL	BODY SIZE	PORT SIZE	Standard Features	Options
AC	1000	00=10-32 (M5) 01=1/8 NPT 02=1/4 NPT 03=3/8 NPT 04=1/2 NPT 06=3/4 NPT 10=1 NPT	125 PSI Regulating Range Polycarbonate Bowl Semi-Auto Differential Drain F25=25 Micron Filter (Sintered Brass) Relieving Type	D=Automatic Drain (For 2000 TO 5000 Series Filter) M=Aluminum Metal P30=30PSI Regulating Range P60=60 PSI Regulating Range 5 Micron Filter
	2000			
AW	2500			
	3000			
AR	4000			
	5000			
AF				
AL				
AC	1010			
	2010			
	3010			
	4010			
	5010			

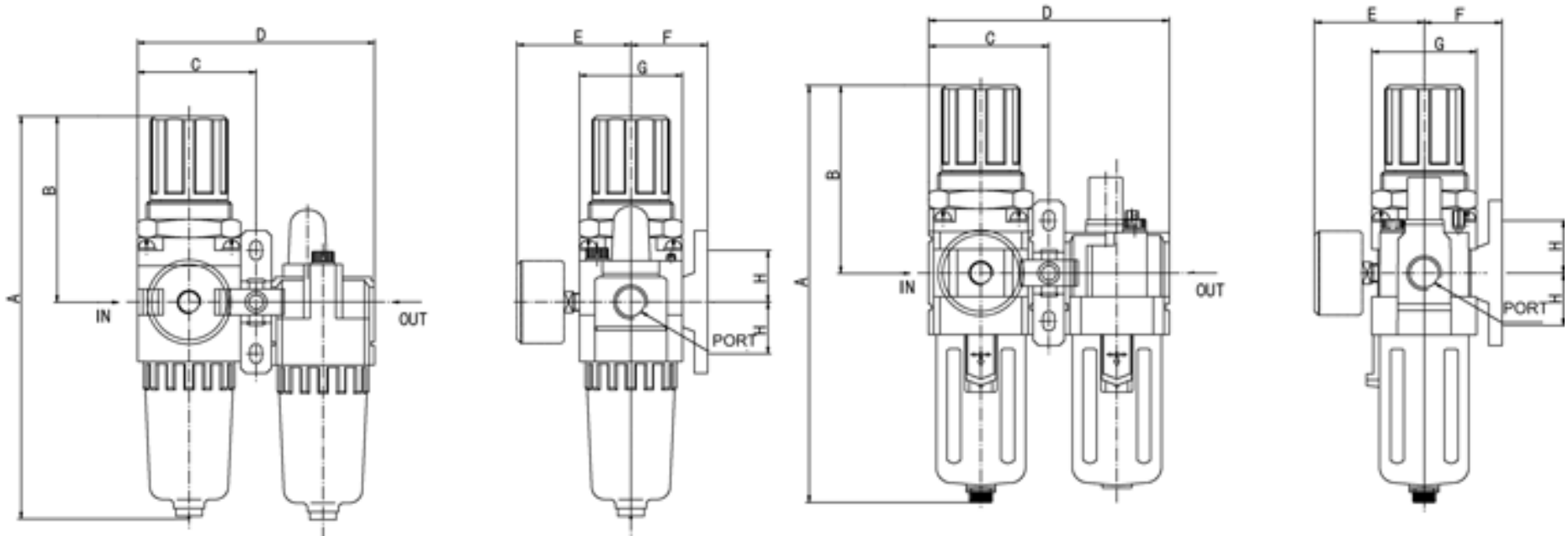
Specifications:**A Series FRL Interchangeable with SMC - NAC SERIES FRL**

These FRL components are of Modular design with joiner clamps and allow you to easily connect and disconnect FRL components for simple installation and maintenance.

Regulator-Filter-Lubricator	AC1000-XX	AC2000-XX	AC3000-XX	AC4000-XX	AC4000-06	AC5000-XX
Flow Rate* SCFM (LPM)	3 (90)	18 (500)	70 (2000)	140 (4000)	160 (4500)	180 (5000)
Stacking Regulator-Filter-Lubricator	AC1010-XX	AC2010-XX	AC3010-XX	AC4010-XX	AC4010-06	AC5010-XX
Flow Rate* SCFM (LPM)	3 (90)	18 (500)	60 (1700)	105 (3000)	105 (3000)	140 (4000)
Stacking Regulator-Filter	AW1000-XX	AW2000-XX	AW3000-XX	AW4000-XX	AW4000-06	AW5000-XX
Flow Rate* SCFM (LPM)	3 (90)	19 (550)	70 (2000)	140 (4000)	160 (4500)	195 (5500)
Regulator	AR1000-XX	AR2000-XX	AR3000-XX	AR4000-XX	AR4000-06	AR5000-XX
Flow Rate* SCFM (LPM)	4 (100)	19 (550)	88 (2500)	210 (6000)	210 (6000)	280 (8000)
Filter	AF1000-XX	AF2000-XX	AF3000-XX	AF4000-XX	AF4000-06	AF5000-XX
Flow Rate* SCFM (LPM)	4 (110)	26 (750)	70 (2000)	140 (4000)	210 (6000)	245 (7000)
Lubricator	AL1000-XX	AL2000-XX	AL3000-XX	AL4000-XX	AL4000-06	AL5000-XX
Flow Rate* SCFM (LPM)	3 (90)	28 (800)	60 (1700)	180 (5000)	220 (6300)	245 (7000)
Port Size	10-32 (M5)	1/8 or 1/4 NPT	1/4 or 3/8 NPT	3/8 or 1/2 NPT	3/4 NPT	3/4 or 1 NPT
Port Size (Pressure Gauge)	1/16 RC (PT)	1/8 NPT	1/8 NPT	1/4 NPT	1/4 NPT	1/4 NPT
Regulating Range	7-100 PSI	7-125 PSI (0.5-8.5 kgf/cm ²)				
Max. Operating Pressure	150 PSI (9.9 kgf/cm ²)					
Operating Temperature	40-140°F (5-60°C)					
Filtration	5 micron filter (standard); 25 Micron (Sintered Brass Filter)					
Bowl Material	Polycarbonate (standard) or Aluminum Metal					
Bowl Guard	N/A		Steel Bowl Guard			
Body Material	Die-Casting Aluminum					
Construction/Regulator	Relieving Type					
Filter Drain	Semi-Auto Differential Drain			Semi-Auto Differential Drain (Standard) or Automatic Drain		

*Measured with Supply Pressure @100 PSI and Set Point Pressure @75 PSI

Stacking Filter Regulator Lubricator Dimensions



Model	Flow Rate (lpm/scfm)	Port	Gauge Port	A (mm/in)	B (mm/in)	C (mm/in)	D (mm/in)	E (mm/in)	F (mm/in)	G (mm/in)	H (mm/in)	Bracket	Weight (kg/lb)	Gauge
AC2010 -01	500	1/8 NPT	1/8 NPT	164.5	78	45	90	56.8	30	40	24	Y20T	0.66	GE-1 1/2-160
AC2010 -02	18	1/4 NPT		6.48	3.07	1.77	3.54	2.24	1.18	1.57	0.94		1.45	
AC3010 -02	1700	1/4 NPT	1/8 NPT	211	92.5	58.5	117	60.8	41	53	35	Y30T	0.98	
AC3010 -03	60	3/8 NPT		8.31	3.64	2.30	4.61	2.39	1.61	2.09	1.38		2.16	
AC4010 -03	3000	3/8 NPT	1/4 NPT	262	112	77	154	65.5	50	70	40	Y40T	1.93	GE-2-160
AC4010 -04	105	1/2 NPT		10.31	4.41	3.03	6.06	2.58	1.97	2.76	1.57		4.25	
AC4010-06	3000	3/4 NPT	1/4 NPT	267	114	82	164	69.5	50	70	40	Y50T	1.99	
	105			10.51	4.49	3.23	6.46	2.74	1.97	2.76	1.57		4.38	
AC5010 -10	140	1 NPT		13.31	4.57	3.84	7.68	2.97	2.75	3.54	1.97		7.04	